

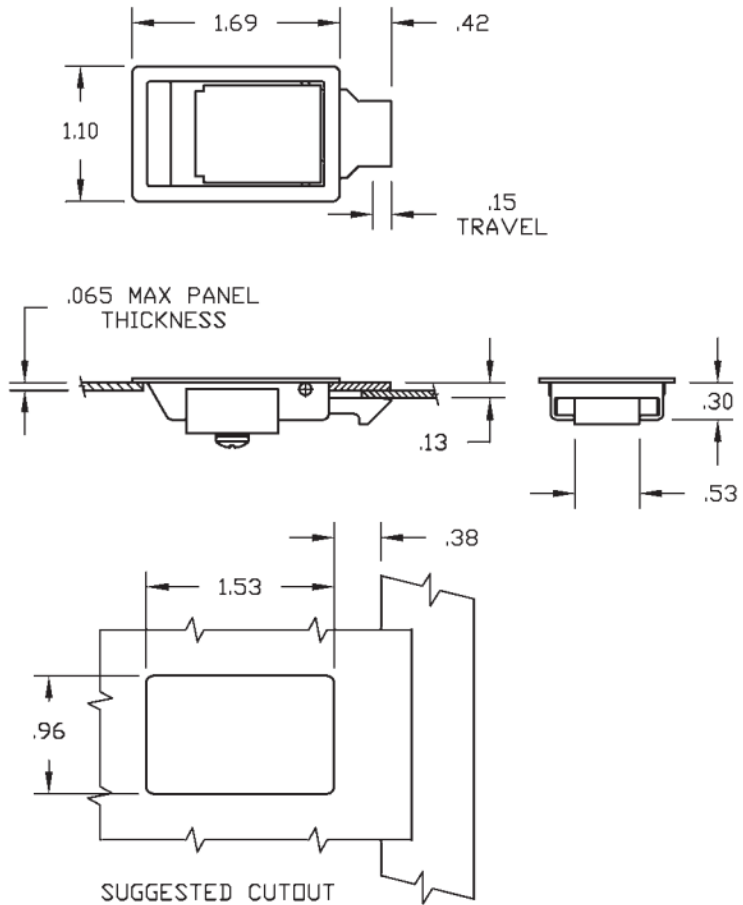
4000 Mini Paddle Latch

Features

- Mini single point paddle latch with nylon bolt
- Ideal for small access panels with minimal intrusion into the compartment area
- Easy installation with single-screw and blind mount bracket
- Maximum torque 10" / lbs. for mounting

Material

- Carbon steel, zinc plated or black powder coated
- Stainless steel on request



| Part No. | Finish |
|----------|---------------------|
| 4000-25 | Zinc Plated |
| 4000-30 | Black Powder Coated |

Dimensions in inches